

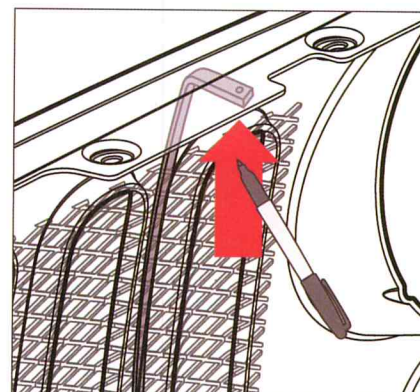
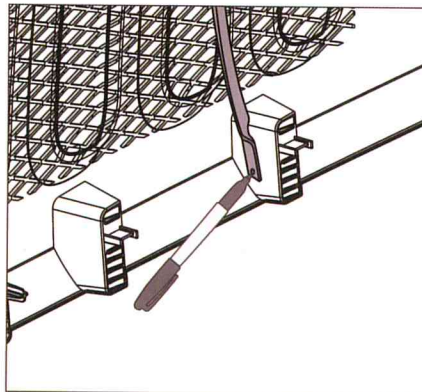


OMIX-ADA, Inc.

Stainless Steel 11401.2
Black 11401.3

JEEP® JK GRILL INSERT

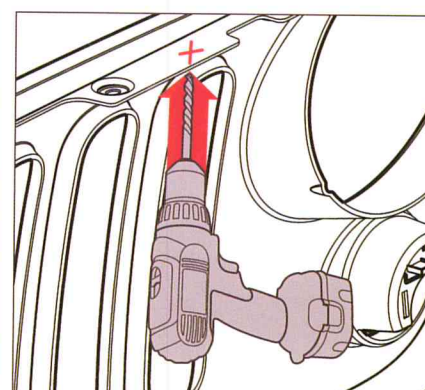
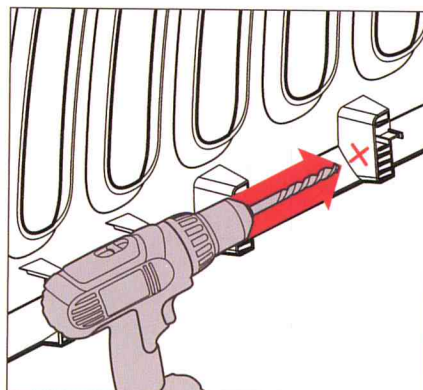
3. Press grill insert firmly against grill. Use grill fasteners as a guide to mark where to drill.



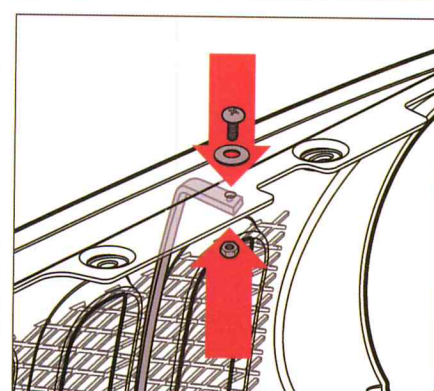
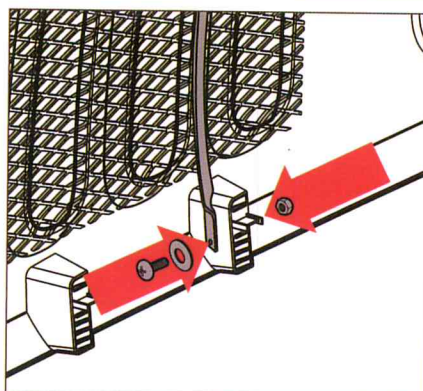
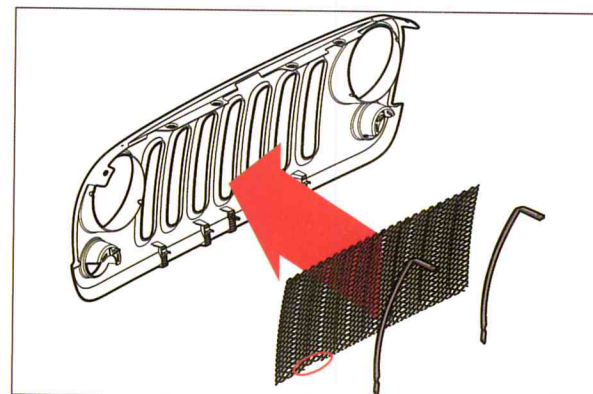
4. Use 3/16" drill bit to cut holes previously marked.

CAUTION

Cutting/Sharp Edge Hazard:
Cut carefully using gloves and
eye protection.



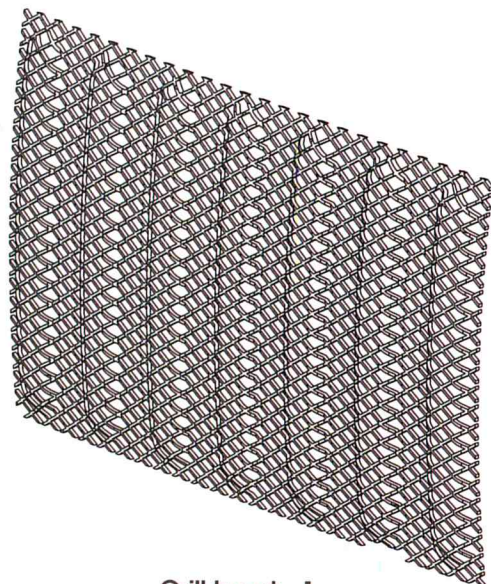
5. Place grill insert and grill fasteners inside grill. With hardware provided, fasten the grill insert. Re-attach grill to vehicle and reconnect marker lights.



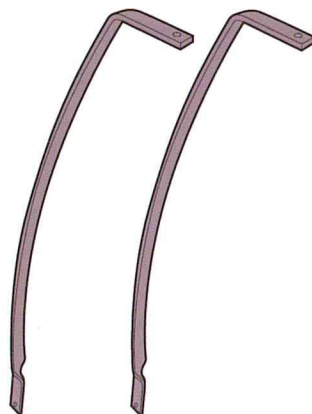


Stainless Steel 11401.2
Black 11401.3

JEEP® JK GRILL INSERT



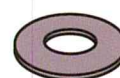
Grill Insert - 1



Grill Fasteners - 2



Bolt - 4



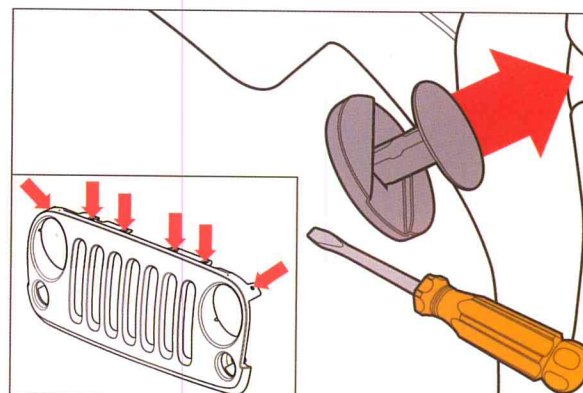
Washer - 4



Lock Nut - 4

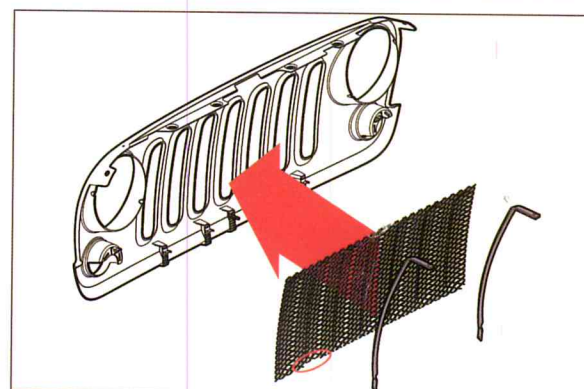
1. Open vehicle hood, remove grill rivets with a flat tool (e.g. screwdriver). Unplug marker lights. Pull grill off from spring clips attached at bottom of grill. Save components removed.

NOTICE Aftermarket winch and/or bumper may need to be removed.



2. Place grill insert and grill fasteners inside grill.

NOTICE Cutout in grill insert should be positioned to the lower side of grill on driver's side. (Circled in Red)



OMIX-ADA® TECHNICAL SUPPORT

PHONE: M-F 8am - 5pm EST 1-800-449-6649 | EMAIL: techsupport@omix-ada.com

FOR WARRANTY INFORMATION VISIT: www.Omix-Ada.com